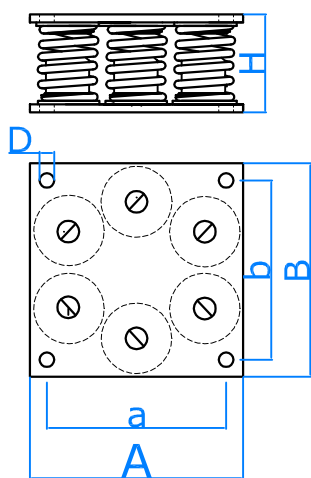


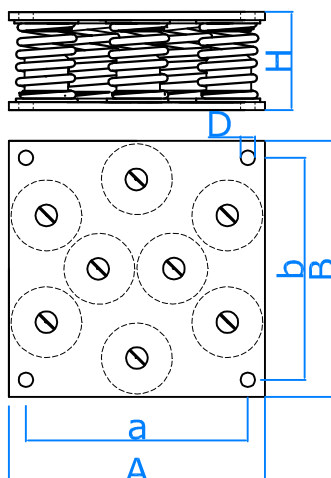
AME-2 Hz / AME-3 Hz / AME-5Hz GRANDES CARGAS



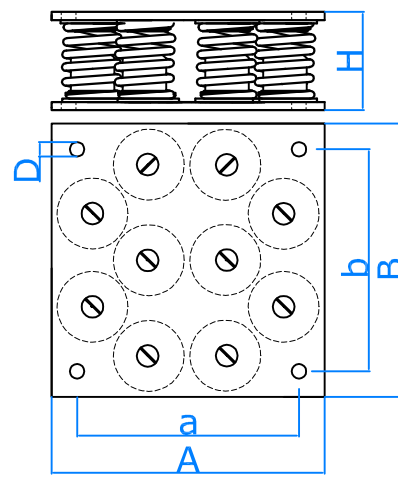
AME-X-XX.6



AME-X-XX.8



AME-X-XX.10



| Referência | Carga em Kg | | | H Livre | H Carga | A | B | a | b | D |
|--------------|-------------|------|------|---------|---------|-----|-----|-----|-----|----|
| | Min | Nom | Max | | | | | | | |
| AME-3-351.6 | 1800 | 2106 | 2400 | 168 | 143 | 250 | 250 | 210 | 210 | 17 |
| AME-3-511.6 | 2400 | 3066 | 3720 | 168 | 143 | 250 | 250 | 210 | 210 | 17 |
| AME-3-701.6 | 3360 | 4206 | 5160 | 168 | 143 | 250 | 250 | 210 | 210 | 17 |
| AME-3-701.8 | 4480 | 5608 | 6720 | 168 | 143 | 300 | 300 | 250 | 250 | 17 |
| AME-3-701.10 | 5600 | 7010 | 8400 | 168 | 143 | 320 | 320 | 260 | 260 | 17 |

| Referência | Carga em Kg | | | H Livre | H Carga | A | B | a | b | D |
|--------------|-------------|------|------|---------|---------|-----|-----|-----|-----|----|
| | Min | Nom | Max | | | | | | | |
| AME-5-381.6 | 1920 | 2286 | 2520 | 115 | 105 | 250 | 250 | 210 | 210 | 17 |
| AME-5-491.6 | 2520 | 2946 | 3360 | 115 | 105 | 250 | 250 | 210 | 210 | 17 |
| AME-5-701.6 | 3360 | 4206 | 5160 | 115 | 105 | 250 | 250 | 210 | 210 | 17 |
| AME-5-701.8 | 4480 | 5608 | 6720 | 115 | 105 | 300 | 300 | 250 | 250 | 17 |
| AME-5-701.10 | 5600 | 7010 | 8400 | 115 | 105 | 320 | 320 | 260 | 260 | 17 |

Consulte medida AME 2Hz